

# alora mood

P. 1.855.855.8926

CANADA: 19054 28TH Avenue Surrey - BC V3Z 6M3

USA: 3035 E. Lone Mountain Rd - Las Vegas, NV, 89081

## EMERSON SF412509

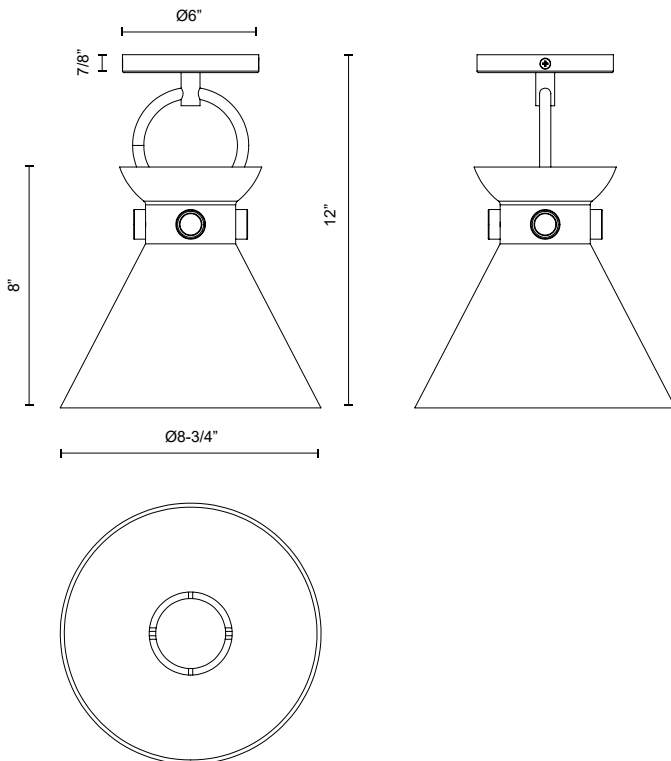
FIXTURE DIMENSIONS	D8-3/4" x H12"
LAMP TYPE	E26
MAX WATTAGE	60W
BULB QTY	1
BULBS INCLUDED	No
VOLTAGE	120V
MATERIAL	Steel
GLASS DETAILS	Clear Glass, Glossy Opal Glass or Smoked Glass
LOCATION	Dry
CANOPY DIMENSIONS	D6" x H7/8"
PAINT FINISH	AG01; MB01;

[ D - Diameter, L - Length, W - Width, H - Height, E - Extension ]

### AVAILABLE FINISHES:



\*For complete warranty terms, please visit: [www.aloralighting.com/warranty](http://www.aloralighting.com/warranty)



WWW.ALORAMOOD.COM

© 2023 KUZCO LIGHTING. ALL RIGHTS RESERVED.

